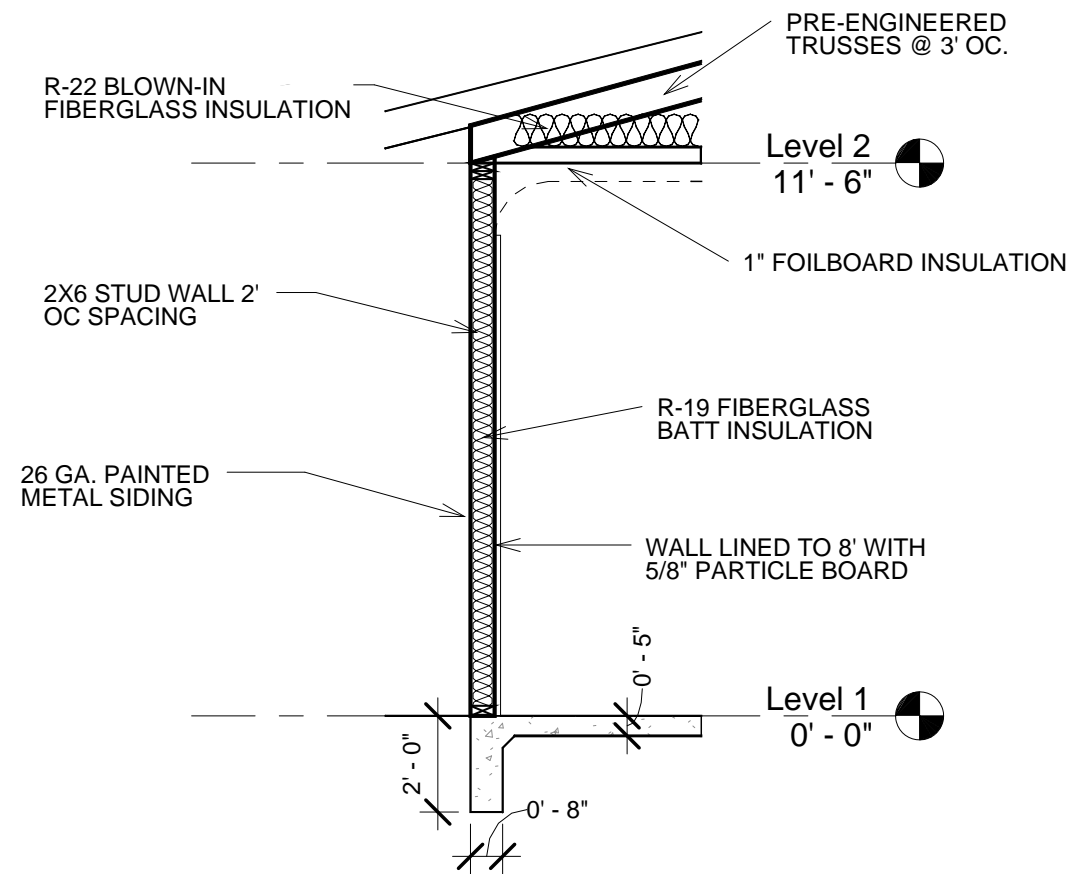
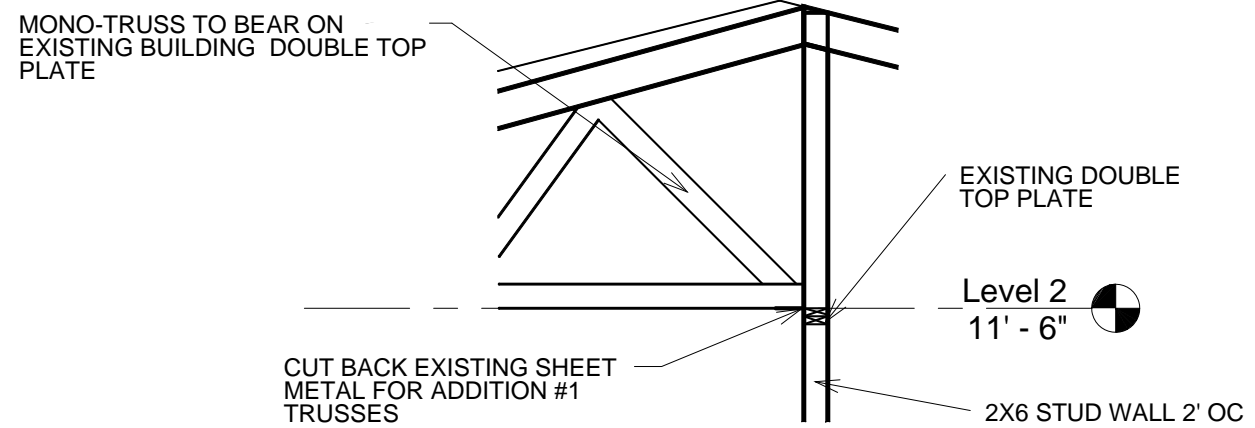


1 Section 1
1/8" = 1'-0"



2 Typical Wall Detail
1/4" = 1'-0"



3 Addition #1 Truss Connection
1/4" = 1'-0"



SHEET TITLE

SECTION VIEWS

PROJECT/ OWNER

MOISES SOTELLO

DRAWN BY

JASON JONES

REVISION DATE

MARCH 15,
2007

SHEET NUMBER

A-103