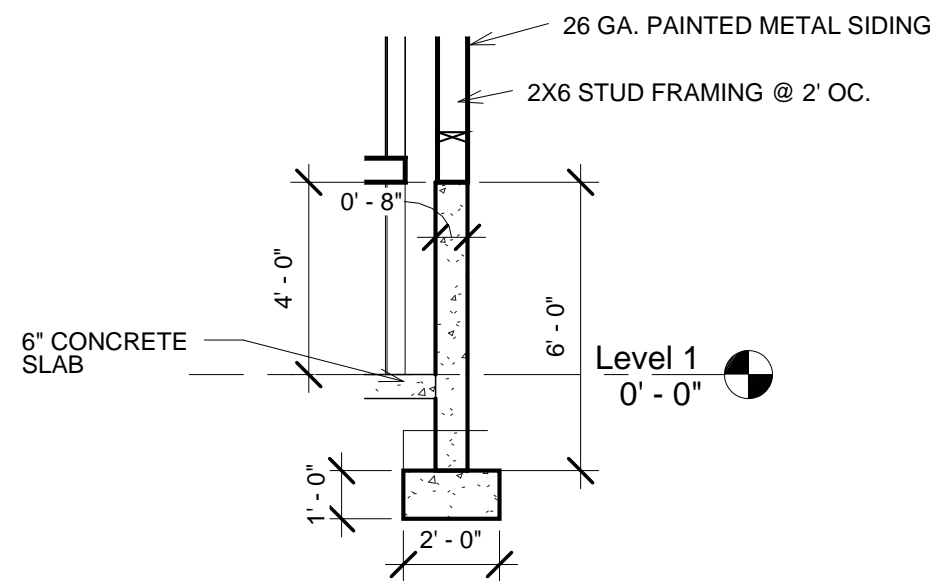
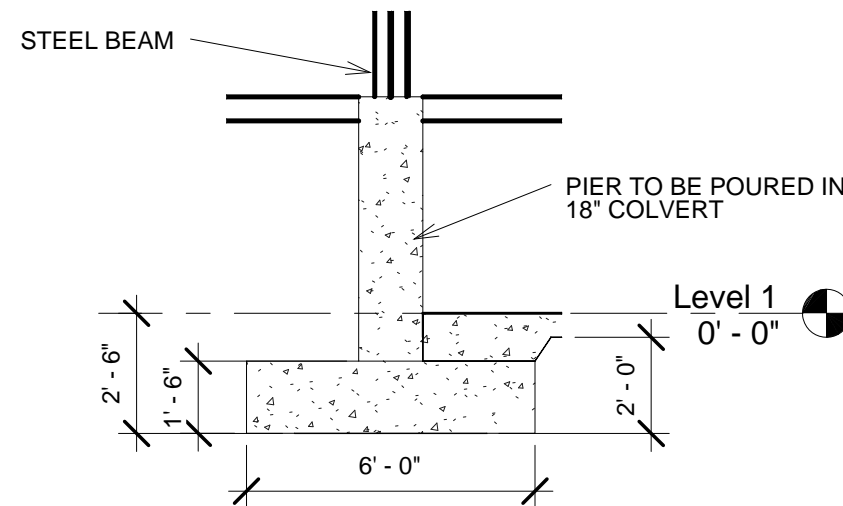


1 Section 1  
1/8" = 1'-0"



2 Typical Footing Detail  
1/4" = 1'-0"



3 Spot Footing Detail  
1/4" = 1'-0"

SHEET TITLE

CROSS SECTION

PROJECT/ OWNER

FRANKLIN BUILDING  
SUPPLY

DRAWN BY

JASON  
JONES

REVISION DATE

MARCH 20, 2007

SHEET NUMBER

A102