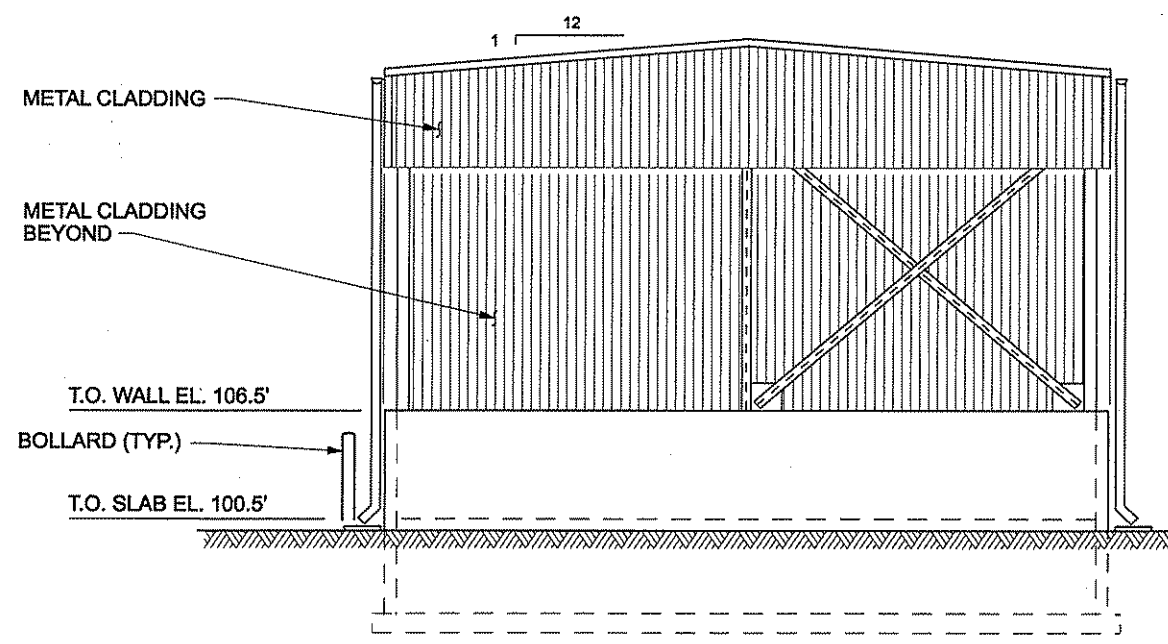


G:\288919\1\CONTROL\107-3 CONTROL BUILDING N & S ELEVATIONS.dgn

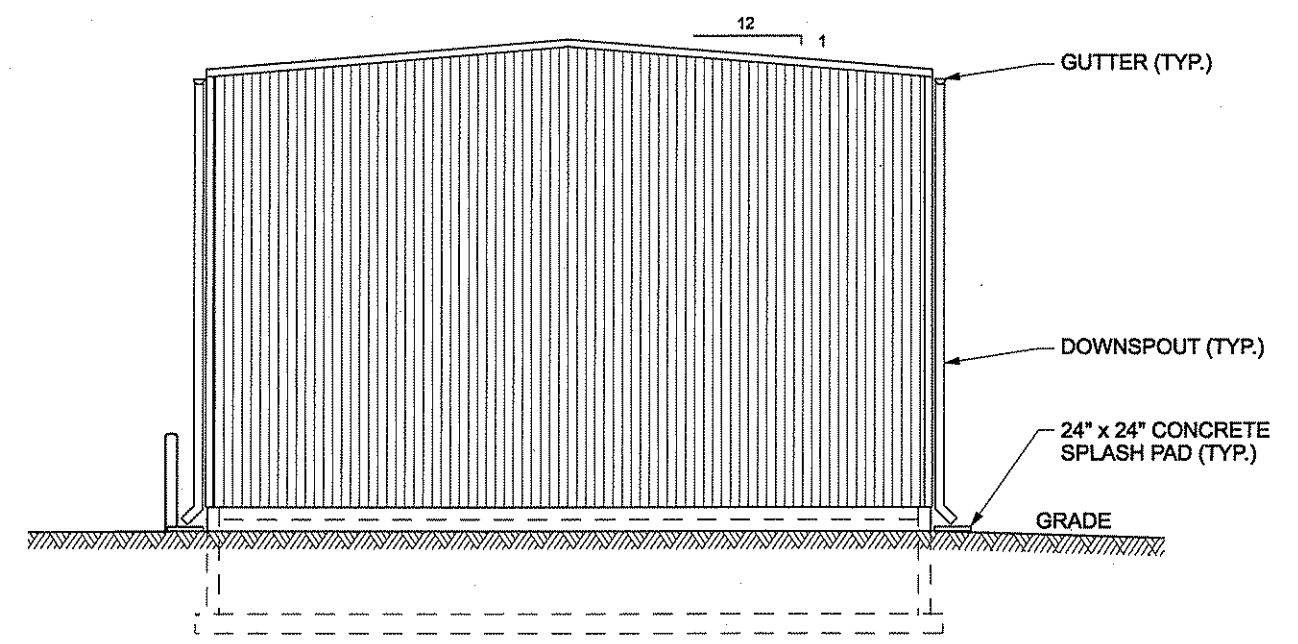
MODEL: 6-3

PLOTTED BY: gah

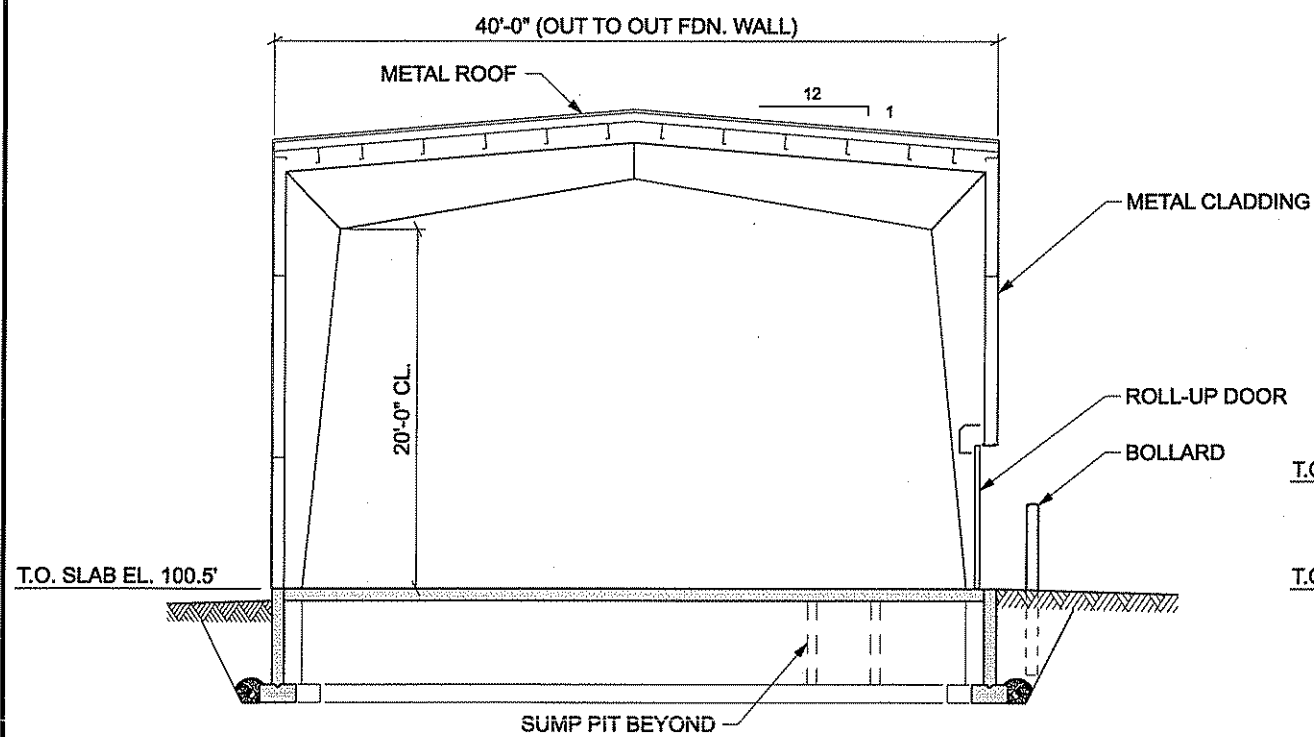
DATE: 2/23/2007 3:52:04 PM



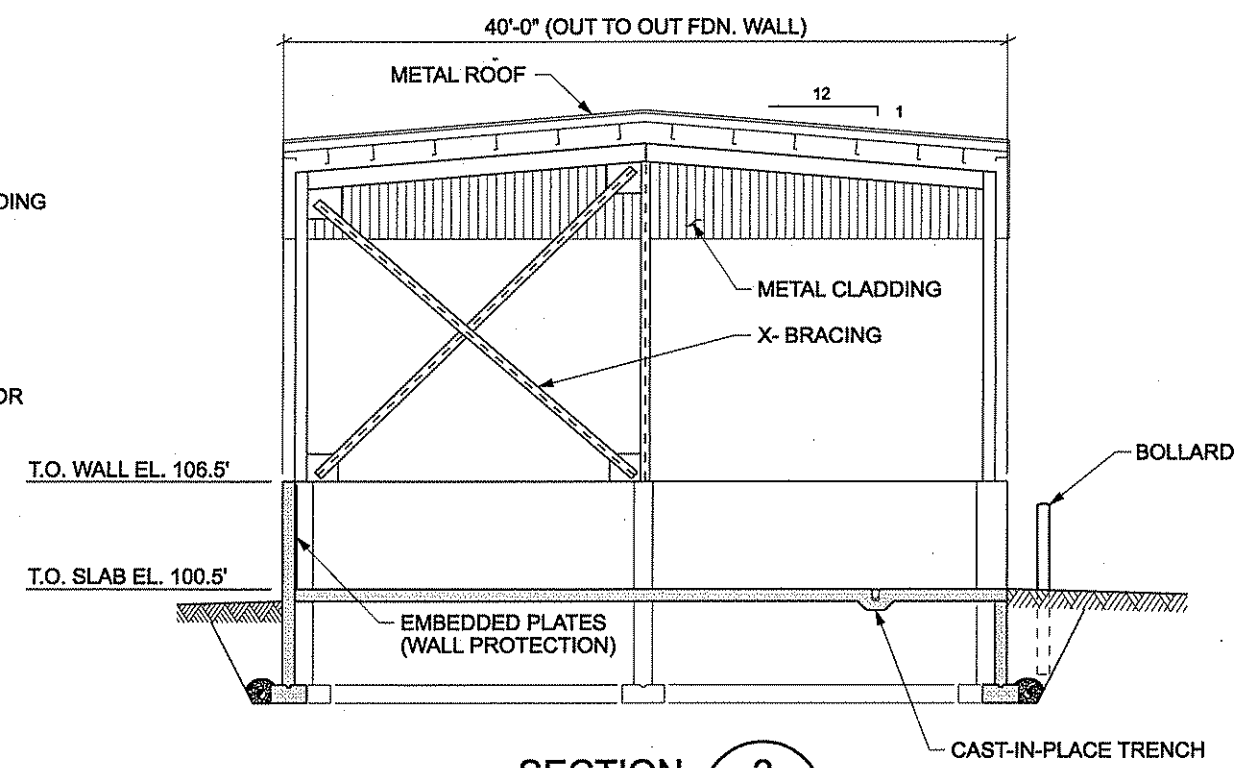
**NORTH ELEVATION**  
3/32" = 1'-0"



**SOUTH ELEVATION**  
3/32" = 1'-0"



**SECTION 1**  
3/32" = 1'-0" 1  
6-1



**SECTION 2**  
3/32" = 1'-0" 2  
6-1

THIS DOCUMENT AND THE INFORMATION, DESIGNS, INVENTIONS, &/OR IMPROVEMENTS CONTAINED HEREIN ARE THE PROPERTY OF ADI & ARE SOLELY FOR USE ON BEHALF OF ADI AND ARE NOT TO BE DISCLOSED, COPIED, OR USED FOR ANY OTHER PURPOSE WHATSOEVER UNLESS SPECIFIC PERMISSION IS FIRST OBTAINED FROM AN AUTHORIZED REPRESENTATIVE OF ADI.

No.	Revision	Ckd. By	Date

**ADI** <sup>®</sup> **ADI Limited**  
 Fredericton, NB, Canada  
 Engineering, Consulting, Procurement  
 and Project Management  
 Charlottetown, Moncton, Saint John, Truro, Halifax, Sydney  
 Port Hawkesbury, St. John's, Fredericton and Salem, NH  
 2889-199.1

**RELEASED FOR CONSTRUCTION**

Const. North	
Drawn By:	RJL
Dwg. Standards Ckd. By:	<i>[Signature]</i>
Designed By:	MJM <sup>2</sup>
Date Printed	Dwg. Design Ckd. By: <i>[Signature]</i>

**ADI** <sup>®</sup> **ADI Systems Inc.**  
 Waste Treatment Systems  
 Fredericton, NB, CA and Salem, NH, US  
 CAN PATENT #1253266; #2,096,852  
 USA PATENTS #5,505,848; #5,587,080  
 MEXICO PATENT #190898

Project Title  
**ANAEROBIC TREATMENT SYSTEM  
 FOR RENOVA ENERGY PLC  
 HEYBURN, ID**

Dwg. Title  
**CONTROL BUILDING  
 NORTH & SOUTH ELEVATIONS  
 & CROSS SECTIONS**

Project No. 1079-3.1

Dwg. No. 6-3 Rev. No. 0

Scale  
 3/32" = 1'-0" U.N.O.  
 This drawing is not to be scaled