

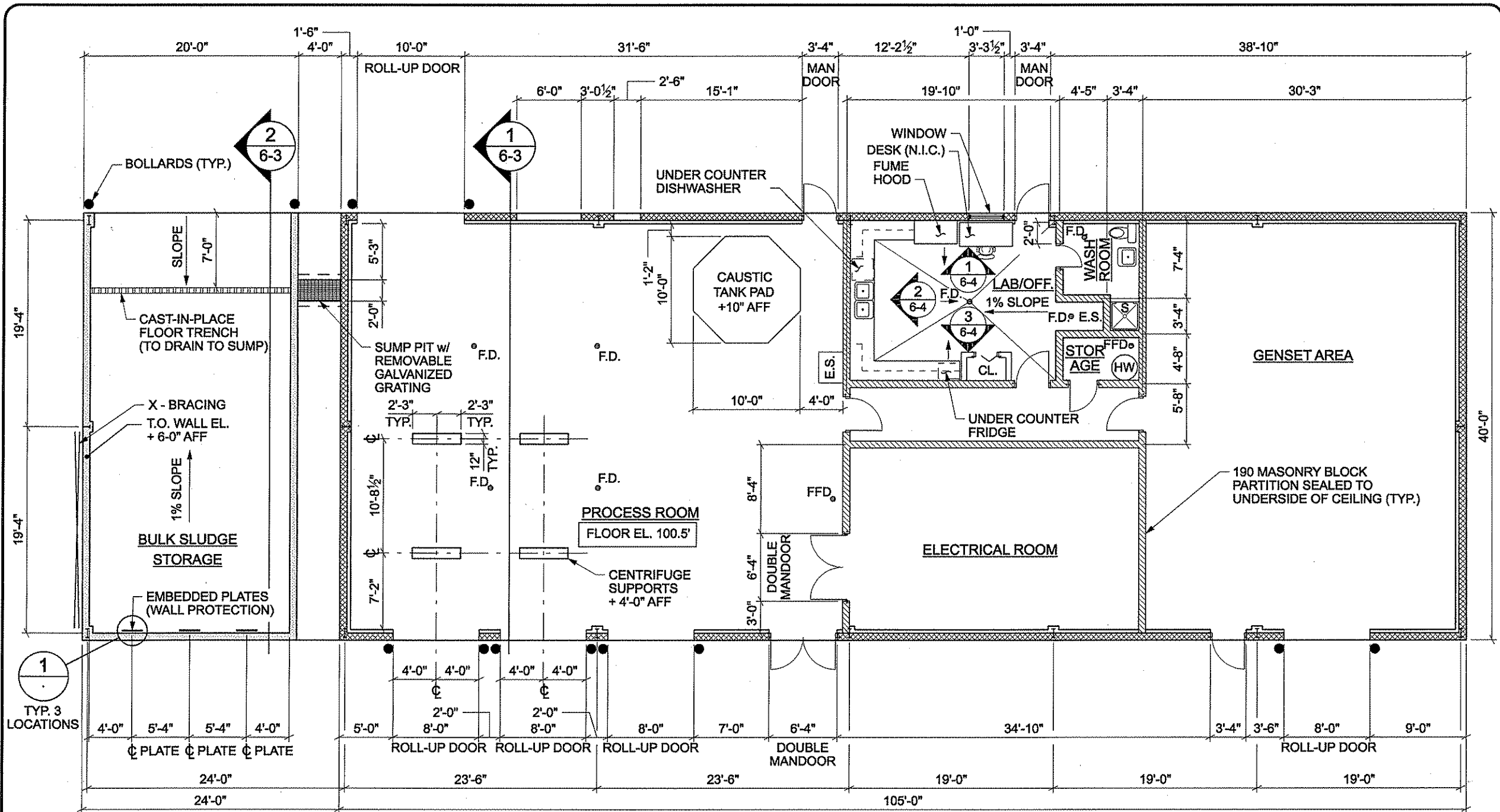
6/28/99 1911CONT1018-1 CONTROL BUILDING FLOOR PLAN.dgn

MODEL: 8-01

PLOTTED BY: cph

DATE: 2/23/2007

3:48:04 PM



LEGEND:

- AFF - ABOVE FINISH FLOOR
- EL. - ELEVATION
- E.S. - EMERGENCY SHOWER/ EYE WASH STATION
- F.D. - FLOOR DRAIN
- FFD - FUNNEL FLOOR DRAIN
- HW - HOT WATER TANK
- N.I.C. - NOT IN CONTRACT
- S - SHOWER
- TYP. - TYPICAL
- w/ - WITH

No.	Revision	Ckd. By	Date

ADI Limited
 Fredericton, NB, Canada
 Engineering, Consulting, Procurement and Project Management

Charlottetown, Moncton, Saint John, Truro, Halifax, Sydney
 Port Hawkesbury, St. John's, Fredericton and Salem, NH

2889-199.1

RELEASED FOR CONSTRUCTION

Const. North

Drawn By: **RJL**
 Dwg. Standards Ckd. By: **[Signature]**
 Designed By: **MJM**

Date Printed: _____ Dwg. Design Ckd. By: **[Signature]**

ADI Systems Inc.
 Waste Treatment Systems

Fredericton, NB, CA and Salem, NH, US
 CAN PATENT #1253266; #2,096,852
 USA PATENTS #5,505,848; #5,587,080
 MEXICO PATENT #190898

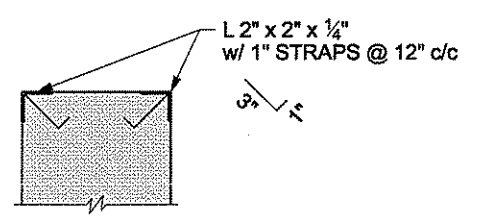
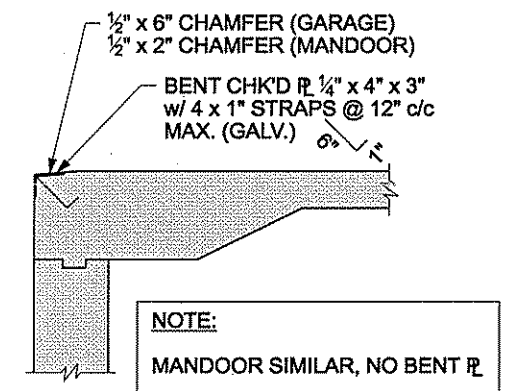
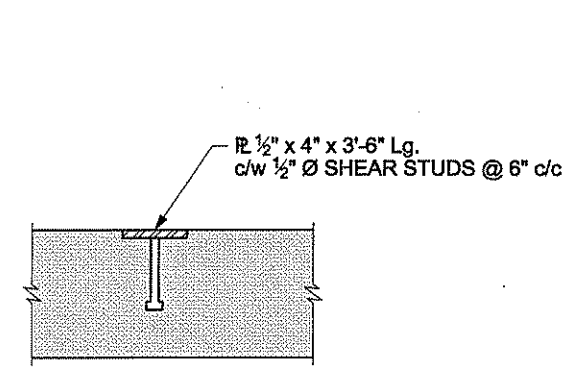
Project Title
ANAEROBIC TREATMENT SYSTEM FOR RENOVA ENERGY PLC HEYBURN, ID

Dwg. Title
CONTROL BUILDING FLOOR PLAN & TYPICAL DETAILS

Project No. **1079-3.1**

Dwg. No. **6-1** Rev. No. **0**

Scale
3/32" = 1'-0"
 This drawing is not to be scaled



THIS DOCUMENT AND THE INFORMATION, DESIGNS, INVENTIONS, &/OR IMPROVEMENTS CONTAINED HEREIN ARE THE PROPERTY OF ADI & ARE SOLELY FOR USE ON BEHALF OF ADI AND ARE NOT TO BE DISCLOSED, COPIED, OR USED FOR ANY OTHER PURPOSE WHATSOEVER UNLESS SPECIFIC PERMISSION IS FIRST OBTAINED FROM AN AUTHORIZED REPRESENTATIVE OF ADI.