



SHEET TITLE

ELEVATIONS

PROJECT/ OWNER

BUTTE / ZIMMATIC

DRAWN BY

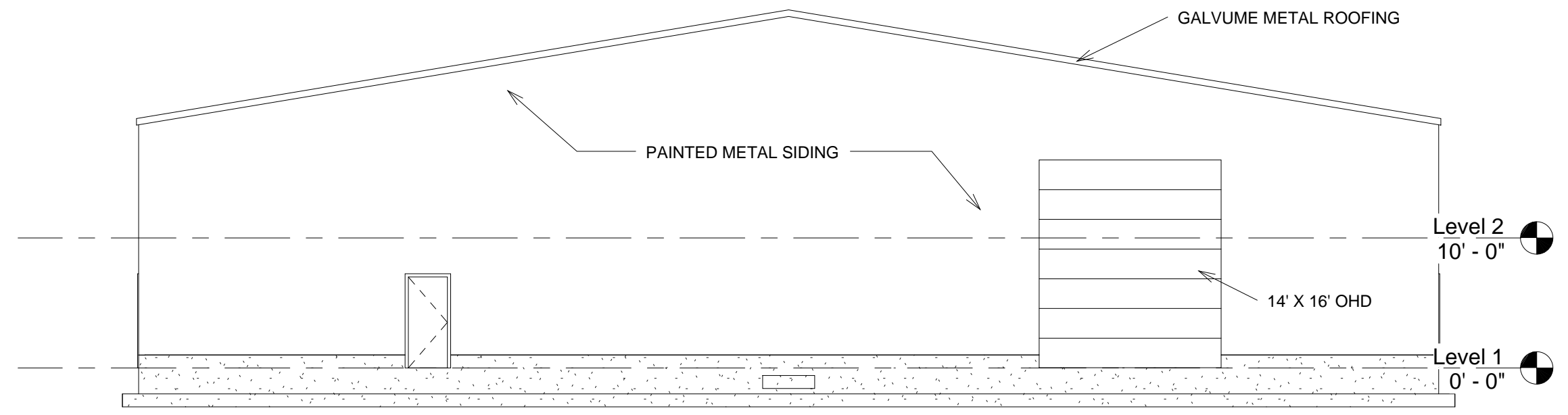
JASON
JONES

REVISION DATE

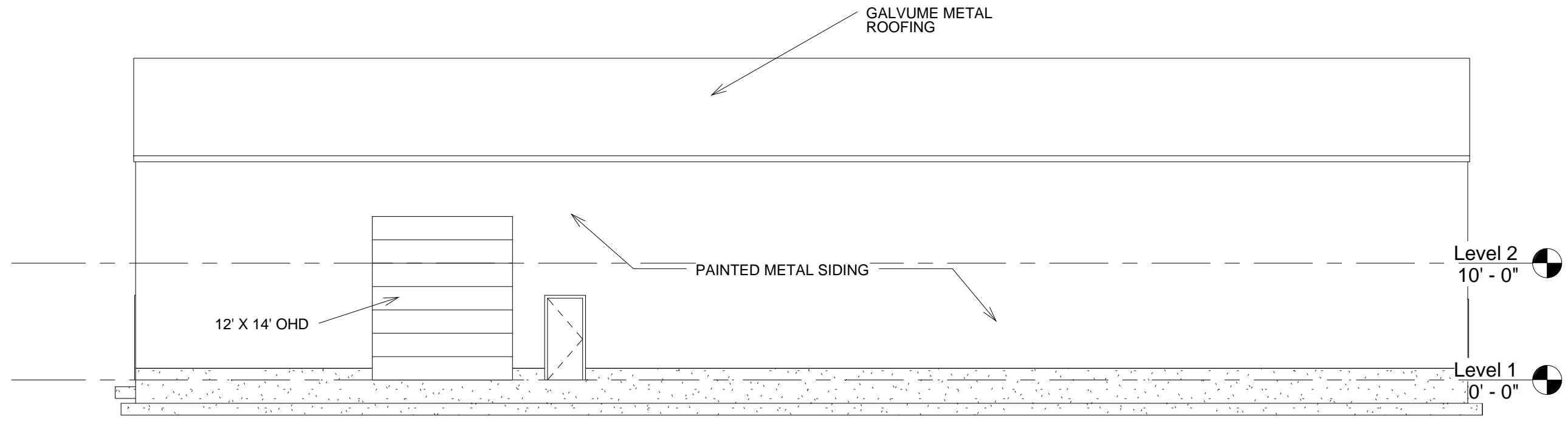
May 15, 2007

SHEET NUMBER

A105



① West
1" = 10'-0"



② South
1" = 10'-0"